

M32x1.5

InKonn

86

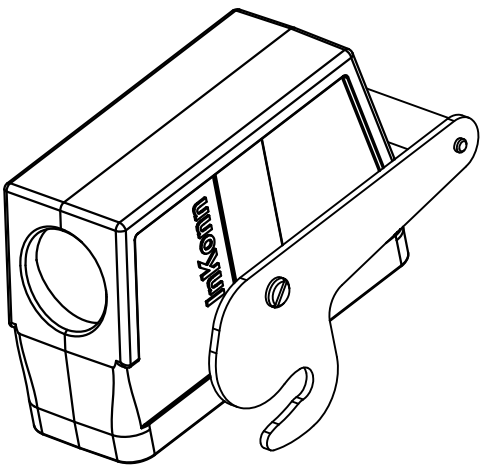
120


45

76

43

52



 All Dimensions in mm Original Size DIN A4	Date 2020-08-10	Drawing No. TC0650066	Rev. A00	Scale 1:1
	Part No. 10 12 024 1133	Created by Shuxu Huang	Checked by Yiyi Luo	Page 1/1
InKonn (Suzhou) Electric Technology Co.,Ltd. Type Name HMB24-HSE-CL/S-M32				